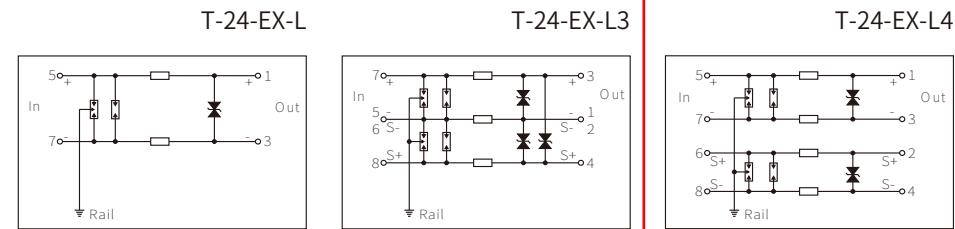


24V IS

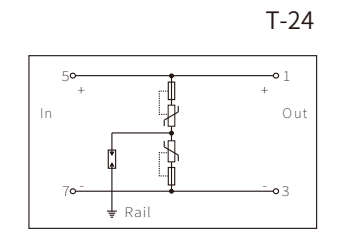
(≤10A)

- 12.5mm . 2-
- AI, AO, DI, DO, RS-232
- DIN- 35mm.

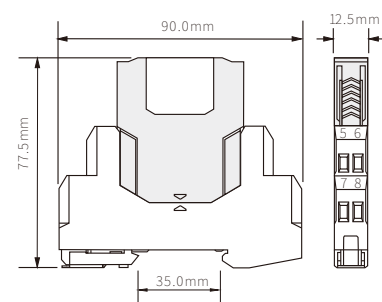


	2-wire	3-wire	4-wire
U_n	24V DC	24V DC	24V DC
U_c	32V DC	32V DC	32V DC
I_L	500mA	500mA	500mA
$I_n(8/20\mu s)$	10kA	10kA	10kA
$I_{max}(8/20\mu s)$	20kA	20kA	20kA
$I_{imp}(10/350\mu s)$	2.5kA	2.5kA	2.5kA
(10/350μs)	5kA	7.5kA	10kA
$U_p(8/20\mu s)$	L-L: 60V/L-G: 600V	L-L: 60V/L-G: 600V	L-L: 60V/L-G: 600V
$U_p(1kV/\mu s)$	L-L: 40V/L-G: 600V	L-L: 40V/L-G: 600V	L-L: 40V/L-G: 600V
(-0.5dB)	10MHz	10MHz	10MHz
	1ns	1ns	1ns
(per line)	1Ω	1Ω	1Ω
I_{PE}	<1μA	<1μA	<1μA
(IEC60529)	IP 20	IP 20	IP 20
/	(UL94) PA66/V0	PA66/V0	PA66/V0
	IEC 61643-21	IEC 61643-21	IEC 61643-21
	EAC	EAC	EAC
	Ex ia II C T4~T6 Ga	Ex ia II C T4~T6 Ga	Ex ia II C T4~T6 Ga
	SIL3	SIL3	SIL3
	7096962	7097610	7040569

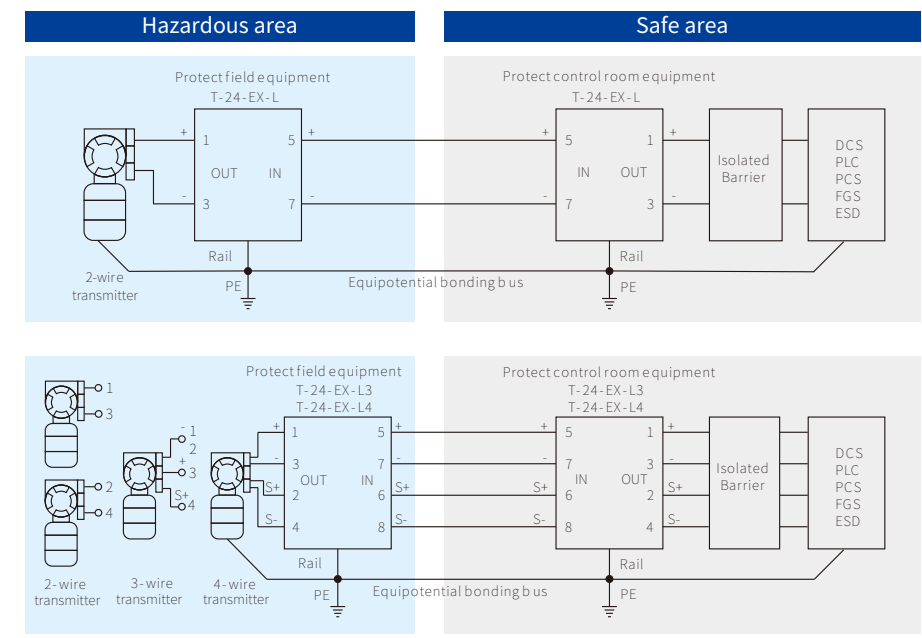
- 12.5mm.
- DIN- 35mm.



	T-24
U_n	24V DC
U_c	60V DC
I_L	10A
$I_n(8/20\mu s)$	L-G: 10kA
$I_{max}(8/20\mu s)$	L-G: 20kA
$I_{imp}(10/350\mu s)$	L-G: 2kA
(10/350μs)	L-G: 4kA
$U_p(8/20\mu s)$	800V
$U_p(1kV/\mu s)$	600V
I_{PE}	<10μA
	10ns
(IEC60529)	IP 20
/	UL94) PA66/V0
	IEC 61643-11
	7062371

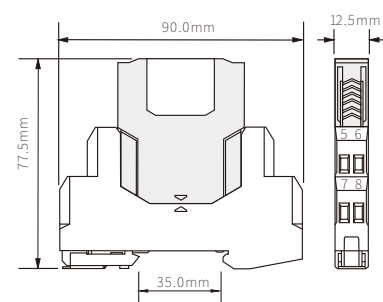


Typical applications



SIL3 IEC61508
Lightning performance test
Explosion proof certificate
CE certification

Dimensions



Lightning performance test
CE certification

Typical applications

