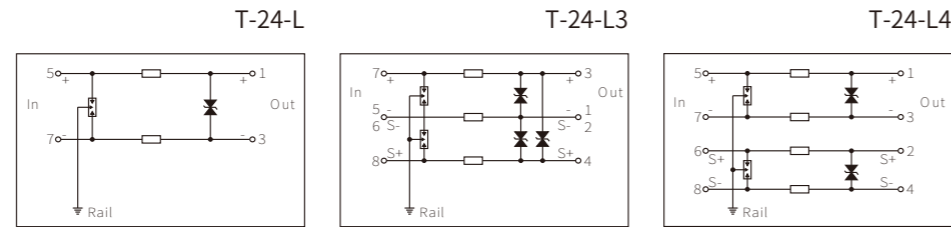
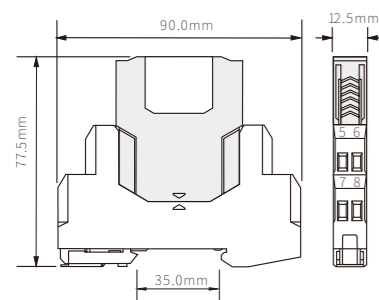


# 24V

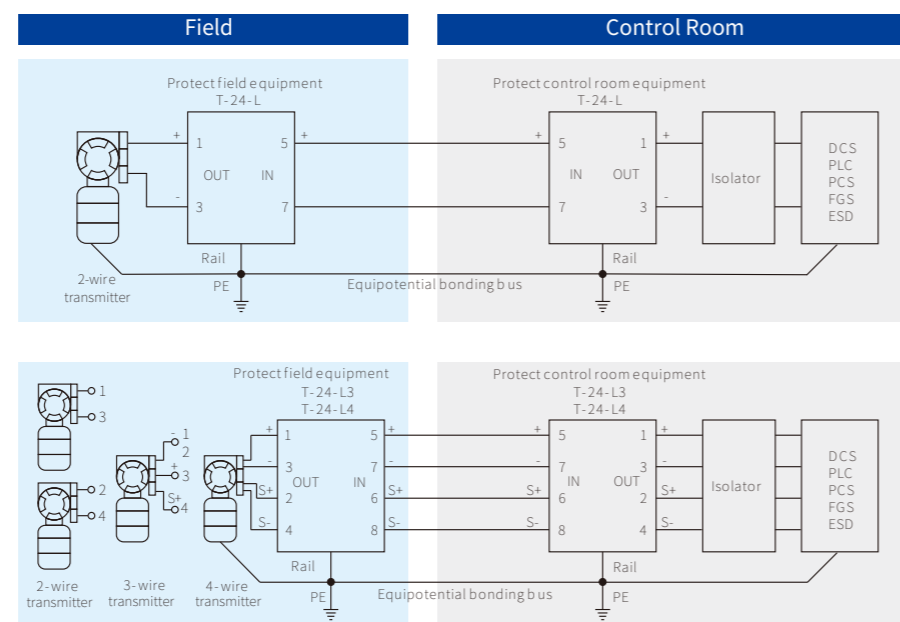
- 12.5mm 2-
- AI, AO, DI, DO, RS-232
- DIN- 35mm.



	2-wire	3-wire	4-wire
$U_n$	24V DC	24V DC	24V
$U_c$	32V DC	32V DC	32V
$I_L$	800mA	800mA	800mA
$I_n(8/20\mu s)$	10kA	10kA	10kA
$I_{max}(8/20\mu s)$	20kA	20kA	20kA
$I_{imp}(10/350\mu s)$	2.5kA	2.5kA	2.5kA
(10/350μs)	5kA	7.5kA	10kA
$U_p(8/20\mu s)$	L-L: 60V/L-G: 600V	L-L: 60V/L-G: 600V	L-L: 60V/L-G: 600V
$U_p(1kV/\mu s)$	L-L: 40V/L-G: 600V	L-L: 40V/L-G: 600V	L-L: 40V/L-G: 600V
(-0.5dB)	10MHz	10MHz	10MHz
	1ns	1ns	1ns
(per line)	1Ω	1Ω	1Ω
$I_{PE}$	<1μA	<1μA	<1μA
(IEC60529)	IP 20	IP 20	IP 20
$I$	(UL94) PA66/V0	PA66/V0	PA66/V0
	IEC 61643-21	IEC 61643-21	IEC 61643-21
	<b>EAC</b>	<b>EAC</b>	<b>EAC</b>
	SIL3	SIL3	SIL3
	7023959	7091758	7074245

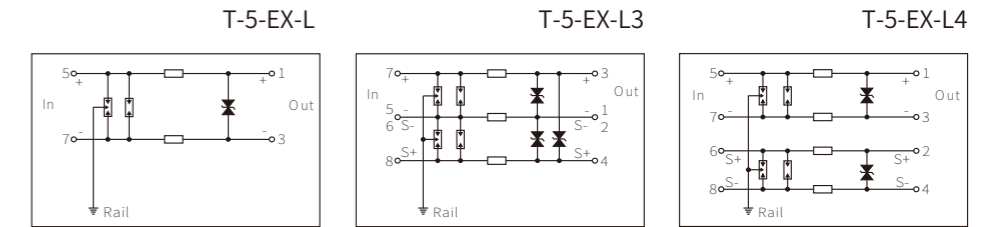


## Typical applications



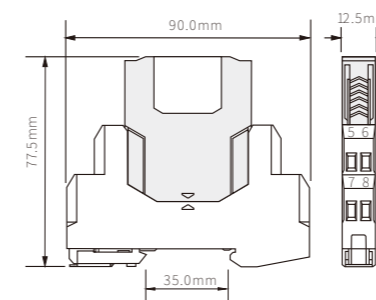
# 5V IS

- 12.5mm 2-
- TC, RTD, CAN, RS-485, RS-422
- DIN- 35mm.



	2-wire	3-wire	4-wire
$U_n$	5V DC	5V DC	5V DC
$U_c$	6V DC	6V DC	6V DC
$I_L$	500mA	500mA	500mA
$I_n(8/20\mu s)$	10kA	10kA	10kA
$I_{max}(8/20\mu s)$	20kA	20kA	20kA
$I_{imp}(10/350\mu s)$	2.5kA	2.5kA	2.5kA
(10/350μs)	5kA	5kA	5kA
$U_p(8/20\mu s)$	L-L: 40V/L-G: 600V	L-L: 40V/L-G: 600V	L-L: 40V/L-G: 600V
$U_p(1kV/\mu s)$	L-L: 20V/L-G: 600V	L-L: 20V/L-G: 600V	L-L: 20V/L-G: 600V
(-0.5dB)	10MHz	10MHz	10MHz
	1ns	1ns	1ns
(per line)	1Ω	1Ω	1Ω
$I_{PE}$	<10μA	<10μA	<10μA
(IEC60529)	IP 20	IP 20	IP 20
$I$	(UL94) PA66/V0	PA66/V0	PA66/V0
	IEC 61643-21	IEC 61643-21	IEC 61643-21
	<b>EAC</b>	<b>EAC</b>	<b>EAC</b>
	Ex ia II C T4-T6 Ga	Ex ia II C T4-T6 Ga	Ex ia II C T4-T6 Ga
	SIL3	SIL3	SIL3
	7086993	7025543	7019501

## Dimensions



## Typical applications

