

(≤10A)

-T

AI, AO, DI, DO, TI

RS485 RS232



20 kA/

-4-

2-

DIN-



**SIL3**  
IEC61508

Functional safety certification



Explosion proof certificate



Lightning performance test



1 invention patent (Patent number: ZL201310585812.2)  
 4 utility model patents (Patent number: ZL201320735795.1,  
 ZL201320735794.7, ZL201320735776.9, ZL201320735791.3)



CE certification



Qualified supplier of PetroChina



Test reports approved by SINOPEC



Insurance provided by CPIC

**EAC**

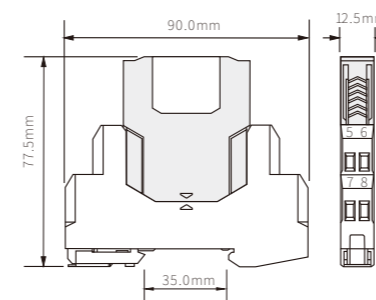
2.5kA

Reliable discharging (D1)

20kV/10kA

Reliable discharging (C2)

Dimensions



**SIL3**  
IEC61508

Functional safety certification (SIL)



Lightning performance test



CE certification



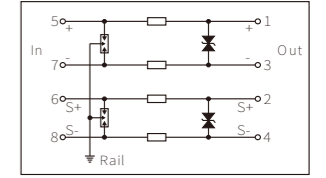
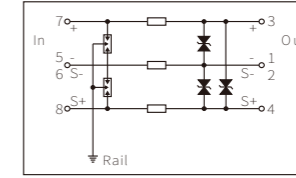
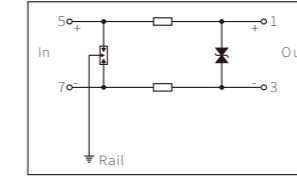
EAC

5V

T-5-L

T-5-L3

T-5-L4



12.5mm	2-
TC, RTD, CAN, RS-485, RS-422	
DIN-	35mm.
$U_n$	5V DC
$U_c$	6V DC
$I_L$	800mA
$I_n(8/20\mu s)$	10kA
$I_{max}(8/20\mu s)$	20kA
$I_{imp}(10/350\mu s)$	2.5kA
$U_p(8/20\mu s)$	5kV
$U_p(1kV/\mu s)$	L-L: 40V/L-G: 600V
(-0.5dB)	L-L: 20V/L-G: 600V
	10MHz
	1ns
(per line)	1Ω
$I_{PE}$	<10μA
(IEC60529)	IP 20
/	PA66/V0
	IEC 61643-21
	EAC
	SIL3
	7099647

	2-wire	3-wire	4-wire
$U_n$	5V DC	5V DC	5V DC
$U_c$	6V DC	6V DC	6V DC
$I_L$	800mA	800mA	800mA
$I_n(8/20\mu s)$	10kA	10kA	10kA
$I_{max}(8/20\mu s)$	20kA	20kA	20kA
$I_{imp}(10/350\mu s)$	2.5kA	2.5kA	2.5kA
$U_p(8/20\mu s)$	5kV	7.5kV	10kV
$U_p(1kV/\mu s)$	L-L: 40V/L-G: 600V	L-L: 40V/L-G: 600V	L-L: 40V/L-G: 600V
(-0.5dB)	L-L: 20V/L-G: 600V	L-L: 20V/L-G: 600V	L-L: 20V/L-G: 600V
	10MHz	10MHz	10MHz
	1ns	1ns	1ns
(per line)	1Ω	1Ω	1Ω
$I_{PE}$	<10μA	<10μA	<10μA
(IEC60529)	IP 20	IP 20	IP 20
/	PA66/V0	PA66/V0	PA66/V0
	IEC 61643-21	IEC 61643-21	IEC 61643-21
	EAC	EAC	EAC
	SIL3	SIL3	SIL3
	7099647	7050235	7029162

Typical applications

