

Model
CZSR8401-1A



Dimension(L×H×W): 114.5mm×99.0mm×12.5mm

Features

- Triple redundancy
- Internal contact fuse protection

Technical Data

- Power data:**
Supply voltage: 16V~35V DC
Current consumption: ≤35mA (24V DC)
- Input data:**
Number of channels: 1
Input current: ≤35mA (24V DC)
Cable resistance: ≤15Ω
Input devices: SIS controller DIO signals input
- Output data:**
Number of contacts: **1NO**
Contact material: AgSnO₂
Contact fuse protection: 5A (Internal)
Utilisation category: 5A/250V AC
5A/24V DC

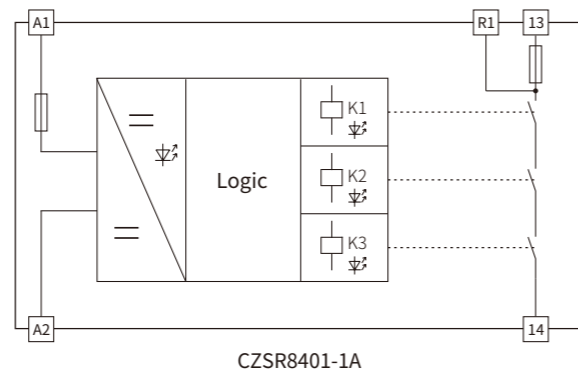
- Time data:**
Switch-on delay: ≤30ms
Delay-on de-energisation: ≤30ms
Recovery time: ≤30ms
Supply short interruption: 20ms

- Environmental data:**
EMC: EN60947, EN61000-6-2, EN61000-6-4
Vibration: Vibration frequency: 10Hz~55Hz;
Vibration amplitude: 0.35mm
Ambient temperature: -20°C~+60°C
Storage temperature: -40°C~+85°C
Relative humidity: 10%~90%

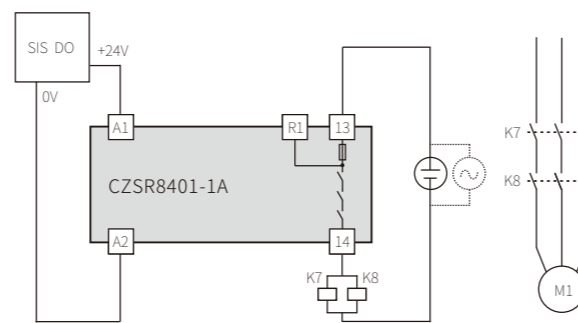
- Insulation data:**
Overvoltage category: III
Pollution degree: 2
Elevation: ≤2000m
Rated insulation voltage: 250V AC
Rated impulse voltage: 6000V (1.2/50us)
Dielectric strength: 1500V AC, 1min
Clearance and creepage distance: In accordance with EN

60947-1
Certification:
Safety integrity level: SIL3

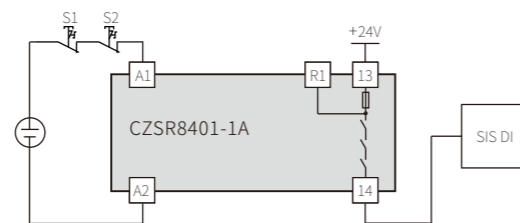
Block diagram



Application (SIS System)



■ SIS controller DO signals input



■ SIS controller DI signals input

Model
CZSR8401-1AR



Dimension(L×H×W): 114.5mm×99.0mm×12.5mm

Features

- Triple redundancy
- Internal contact fuse protection
- With proof test terminal

Technical Data

- Power data:**
Supply voltage: 16V~35V DC
Current consumption: ≤35mA (24V DC)
- Input data:**
Number of channels: 1
Input current: ≤35mA (24V DC)
Cable resistance: ≤15Ω
Input devices: SIS controller DIO signals input
- Output data:**
Number of contacts: **1NO**
Contact material: AgSnO₂
Contact fuse protection: 5A (Internal)
Utilisation category: 5A/250V AC
5A/24V DC

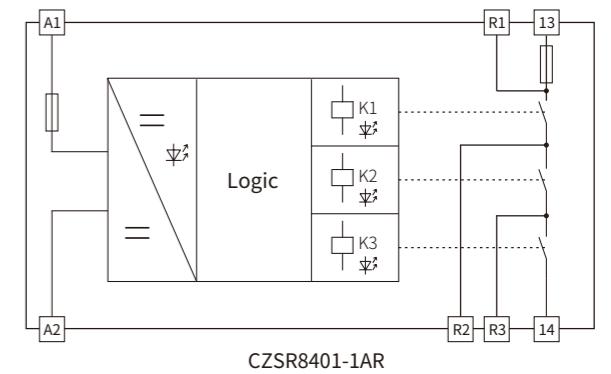
- Time data:**
Switch-on delay: ≤30ms
Delay-on de-energisation: ≤30ms
Recovery time: ≤30ms
Supply short interruption: 20ms

- Environmental data:**
EMC: EN60947, EN61000-6-2, EN61000-6-4
Vibration: Vibration frequency: 10Hz~55Hz;
Vibration amplitude: 0.35mm
Ambient temperature: -20°C~+60°C
Storage temperature: -40°C~+85°C
Relative humidity: 10%~90%

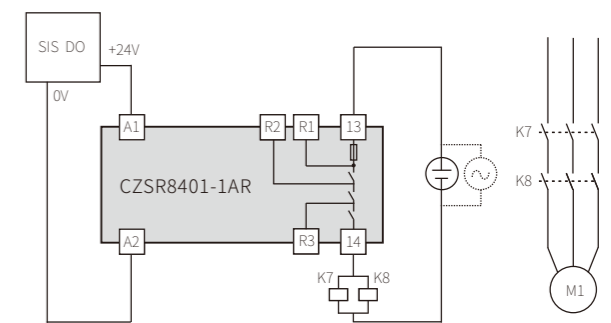
- Insulation data:**
Overvoltage category: III
Pollution degree: 2
Elevation: ≤2000m
Rated insulation voltage: 250V AC
Rated impulse voltage: 6000V (1.2/50us)
Dielectric strength: 1500V AC, 1min
Clearance and creepage distance: In accordance with EN

60947-1
Certification:
Safety integrity level: SIL3

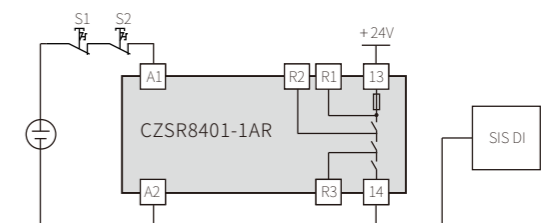
Block diagram



Application (SIS System)



■ SIS controller DO signals input



■ SIS controller DI signals input