

**Model**  
**CZSR8401-1B**



Dimension(L×H×W): 114.5mm×99.0mm×12.5mm

**Features**

- Triple redundancy
- Normally closed output form

**Technical Data**

- Power data:**  
Supply voltage: 16V~35V DC  
Current consumption: ≤35mA (24V DC)
- Input data:**  
Number of channels: 1  
Input current: ≤35mA (24V DC)  
Cable resistance: ≤15Ω  
Input devices: SIS controller DIO signals input
- Output data:**  
Number of contacts: **1NC**  
Contact material: AgSnO<sub>2</sub>  
Contact fuse protection: 5A (Internal)  
Utilisation category: 5A/250V AC  
5A/24V DC

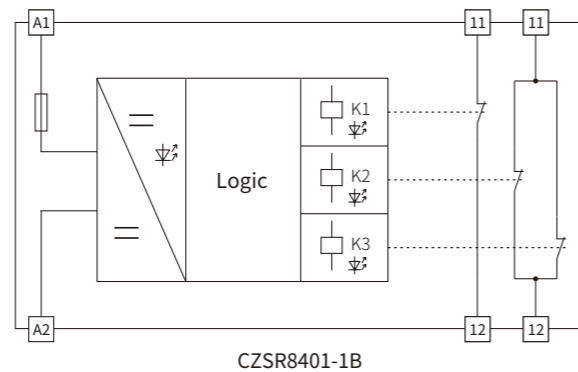
- Time data:**  
Switch-on delay: ≤30ms  
Delay-on de-energisation: ≤30ms  
Recovery time: ≤30ms  
Supply short interruption: 20ms

- Environmental data:**  
EMC: EN60947, EN61000-6-2, EN61000-6-4  
Vibration: Vibration frequency: 10Hz~55Hz;  
Vibration amplitude: 0.35mm  
Ambient temperature: -20°C~+60°C  
Storage temperature: -40°C~+85°C  
Relative humidity: 10%~90%

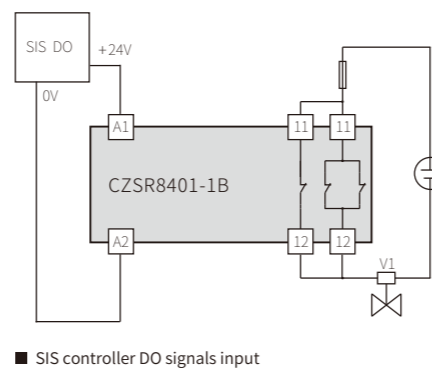
- Insulation data:**  
Overvoltage category: III  
Pollution degree: 2  
Elevation: ≤2000m  
Rated insulation voltage: 250V AC  
Rated impulse voltage: 6000V (1.2/50us)  
Dielectric strength: 1500V AC, 1min  
Clearance and creepage distance: In accordance with EN

60947-1  
**Certification:**  
Safety integrity level: SIL2

**Block diagram**



**Application (SIS System)**



■ SIS controller DO signals input

**Model**  
**CZSR8403-1AR1B**



Dimension(L×H×W): 114.5mm×99.0mm×22.5mm

**Features**

- Triple redundancy
- Replaceable fuse design
- With proof test terminal

**Technical Data**

- Power data:**  
Supply voltage: 16V~35V DC  
Current consumption: ≤60mA (24V DC)
- Input data:**  
Number of channels: 1  
Input current: ≤60mA (24V DC)  
Cable resistance: ≤15Ω  
Input devices: SIS controller DIO signals input
- Output data:**  
Number of contacts: **1NO+1NC**  
Contact material: Ag-alloy  
Contact fuse protection: 5A (Fuse socket)  
Utilisation category: 5A/250V AC  
5A/30V DC

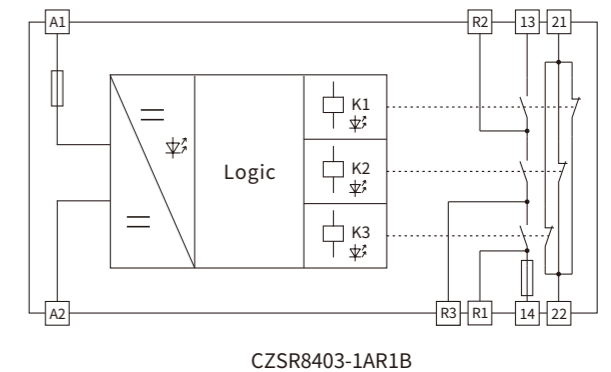
- Time data:**  
Switch-on delay: ≤30ms  
Delay-on de-energisation: ≤30ms  
Recovery time: ≤30ms  
Supply short interruption: 20ms

- Environmental data:**  
EMC: EN60947, EN61000-6-2, EN61000-6-4  
Vibration: Vibration frequency: 10Hz~55Hz;  
Vibration amplitude: 0.35mm  
Ambient temperature: -20°C~+60°C  
Storage temperature: -40°C~+85°C  
Relative humidity: 10%~90%

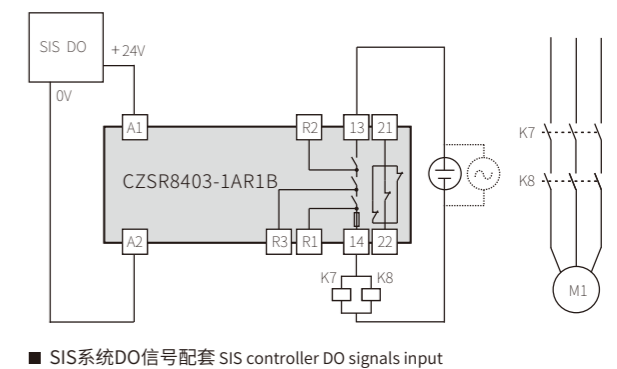
- Insulation data:**  
Overvoltage category: III  
Pollution degree: 2  
Elevation: ≤4000m  
Rated insulation voltage: 250V AC  
Rated impulse voltage: 6000V (1.2/50us)  
Dielectric strength: 1500V AC, 1min  
Clearance and creepage distance: In accordance with EN

60947-1  
**Certification:**  
Safety integrity level: SIL3

**Block diagram**



**Application (SIS System)**



■ SIS系统DO信号配套 SIS controller DO signals input