

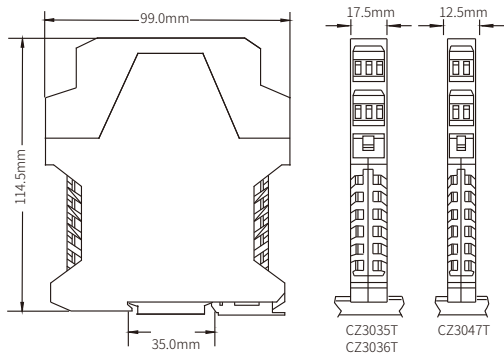
Analog Input(Sink Mode Output)

Features

- 24V DC independent power supply
- 0/4~20mA current input
- 0/4~20mA sink mode output

	CZ3047T 1/1	CZ3035T 1/2	CZ3036T 2/2
Input			
Input Current	0/4~20mA	0/4~20mA	0/4~20mA
Distribution Voltage	17.5~25V	17.5~25V	17.5~25V
Max. Current	<35mA	<35mA	<35mA
Output			
Output Current	0/4~20mA	0/4~20mA	0/4~20mA
Ext.Source Voltage(U _e)	12~30V	12~30V	12~30V
Load Resistance	$R_L \leq (U_e - 5)/0.02$	$R_L \leq (U_e - 5)/0.02$	$R_L \leq (U_e - 5)/0.02$
General Parameters			
Supply Voltage	20~35V DC	20~35V DC	20~35V DC
Power Reverse Protection	Support	Support	Support
Current Consumption(Supply voltage:24V)	≤40mA	≤45mA	≤80mA
Transmission Accuracy	0.1%F.S.(Typical: 0.05%F.S.)	0.1%F.S.(Typical: 0.05%F.S.)	0.1%F.S.(Typical: 0.05%F.S.)
Temperature Drift	0.005%F.S./°C	0.005%F.S./°C	0.005%F.S./°C
Response Time (0~90%)	≤0.5 ms	≤0.5 ms	≤0.5 ms
Dielectric Strength	1500V AC;1min	1500V AC;1min	1500V AC;1min
Insulation Resistance	≥100MΩ; 500V DC	≥100MΩ; 500V DC	≥100MΩ; 500V DC
EMC Standards	GB/T 18268(IEC 61326-1)	GB/T 18268(IEC 61326-1)	GB/T 18268(IEC 61326-1)
Ambient Temperature	-20°C~+60°C	-20°C~+60°C	-20°C~+60°C
Suitable Field Apparatus	2-or 3-wire transmitter, current source	2-or 3-wire transmitter, current source	2-or 3-wire transmitter, current source

Dimensions



Connection

