

Frequency Converter

Features

- 24V DC independent power supply
- Acquisition of NPN, PNP, NAMUR, and frequency signals
- Line fault detection(LFD)
- Configurable by software(CZ3055) or membrane keypad(CZ3355)
- LED display(CZ3355)

Input

- PNP / NPN Transistor
- Voltage Pulse Source
- Switch/Proximity Switch
- Frequency Range / Pulse Width

Output

- Output Current/Load Resistance
- Output Voltage/Load Resistance
- Relay Output
- Contact Rating
- Response Time @100kHz input(0~90%)

General Parameters

- Supply Voltage
- Power Reverse Protection
- Current Consumption(Supply voltage: 24V)
- Conversion Accuracy
- Temperature Drift
- Dielectric Strength
- Insulation Resistance
- EMC Standards
- Ambient Temperature
- Suitable Field Apparatus

CZ3055
1/1

- Power distribution:14V, current<20mA
- Max. Input voltage:30V
- Power distribution≈8V, Short-circuit current≈8mA
- 0.1Hz~100kHz/≥2μs

- 0~20mA, 4~20mA / $R_L \leq 400\Omega$
- 0~5V, 1~5V / $R_L \geq 300k\Omega$
- 1*SPST
- 250V AC,2A / 30V DC,2A; Resistive load
- ≤20ms

- 20~35V DC
- Support
- ≤90mA
- 0.1%F.S.(Typical≤0.05%F.S.)
- 0.01% F.S./°C
- 1500V AC;1min
- ≥100MΩ; 500V DC
- GB/T 18268(IEC 61326-1)
- 20°C~+60°C

CZ3355
1/3

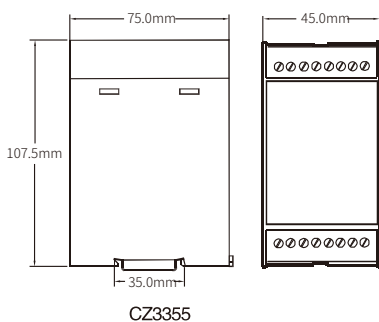
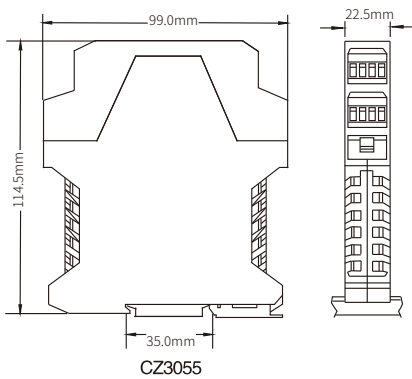
- Power distribution:14V, current<20mA
- Max. Input voltage:30V
- Power distribution≈8V, Short-circuit current≈8mA
- 0.1Hz~100kHz/≥2μs

- 0~20mA, 4~20mA / $R_L \leq 400\Omega$
- 0~5V, 1~5V / $R_L \geq 300k\Omega$
- 2*SPST
- 250V AC,2A / 30V DC,2A; Resistive load
- ≤20ms

- 20~35V DC
- Support
- ≤110mA
- 0.1%F.S.(Typical≤0.05%F.S.)
- 0.01% F.S./°C
- 1500V AC;1min
- ≥100MΩ; 500V DC
- GB/T 18268(IEC 61326-1)
- 20°C~+60°C

NAMUR proximity switch, dry contact, frequency generator, PNP/NPN transistor outputs according to DIN 19234 standards

Dimensions



Connection

