

Digital Output(Loop Powered)

1/1:GS5023-EX
2/2:GS5024-EX

Digital output isolated barriers, control the 12V/45mA power supply to hazardous area. This product is suitable for driving IS devices such as solenoid valves, LED and some other low-power loads located in the hazardous area. The input and output are each galvanically isolated, and this product is loop powered.

Specification

Loop Supply Voltage (U_e) :20~35V DC

Current Consumption (Supply voltage: 24V; output: 45mA) :

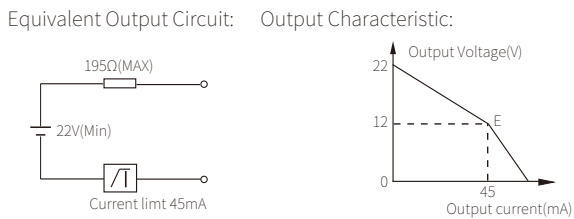
≤75mA (GS5023-EX)

≤160mA (GS5024-EX)

Hazardous-area Output:

Open-circuit Voltage:22V~24V

Output voltage at 45mA:≥12V



Response Time:≤20ms

Power Supply Protection:Power supply reverse protection

EMC:According to IEC 61326-1 (GB/T 18268), IEC 61326-3-1

Dielectric Strength:

Between non-intrinsically safe part and intrinsically safe part≥2500V AC

Insulation Resistance:

Between non-intrinsically safe part and intrinsically safe part≥100MΩ

Weight:Approx. 100g

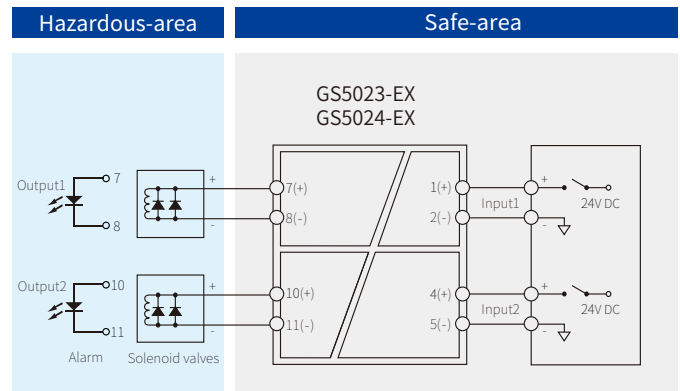
Suitable Location:Mounting in safe area, and connected to the IS apparatus in hazardous area up to zone0 IIC and zone20 IIIC.

Suitable Field Apparatus:Solenoid valves, LED.



Dimensions:114.5mm×99mm×12.5mm

Connection



Note: a) GS5023-EX only contains input1, output1.

Explosion-proof Certificate

Certificate Authority:NEPSI (China)

Ex Marking:[Ex ia Ga] II C

[Ex iaD]

Maximum Voltage:U_m=250V

Intrinsic Safety Parameters:

Terminals (7、8), (10、11)

U₀=25V, I₀=140mA, P₀=875mW

II C:C₀=0.11μF, L₀=1.32mH

*II B:C₀=0.84μF, L₀=3.96mH

II A:C₀=2.97μF, L₀=10.56mH

*II B Intrinsic Safety Parameters are also suitable for dust explosion protection[Ex iaD]