

CHENZHU



(2022)

【Factory video @Youtube】

CZYB-E09-C.01/2022.06

Headquarters

SHANGHAI CHENZHU INSTRUMENT CO.,LTD.

Add: Building 6, 201 Minyi Rd., Shanghai 201612, P.R.China

Tel: +86-21-64360668

E-mail: chenzhu@chenzhu-inst.com

Web: en.chenzhu-inst.com

ООО «Арморайз»
Официальный дистрибьютор Shanghai Chenzhu Instrument CO., LTD.

420140, Российская Федерация, г. Казань, ул. Ю.Фучика, д. 90а, оф. 501а
Тел.: +7 987 277 68 03, +7 919 643 47 00
e-mail: chenzhu@armorise.ru
web-site: www.armorise.ru



www.chenzhuisolator.ru



CHENZHU COMPANY OVERVIEW

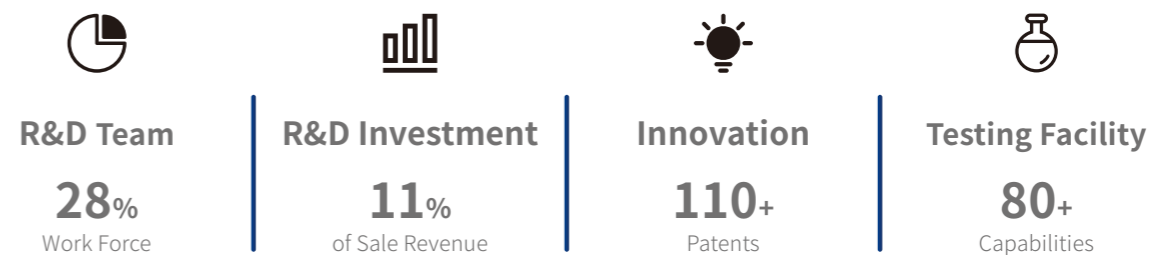


CHENZHU's headquarter is located at Shanghai, China, with an area of 8500m².

Shanghai Chenzhu Instrument Co., Ltd. was founded in April, 2002, who was originated from Shanghai Institute of Process Automation Instrumentation. CHENZHU is a professional company with core expertise of R&D, manufacturing and sale service of high quality safety products, such as isolated barriers, signal conditioners, surge protective devices, safety relays etc.

R&D Strength

Based on ISO/IEC/GB standards, CHENZHU has established the professional laboratory which is applied up to 70 test capabilities and verification items in CHENZHU's safety electrical products' development process.



Smart Factory

CHENZHU factory is continually driven by lean management and flexible production. By our strict quality examination, CHENZHU ensures the production meets the design specification and satisfies our customers.



MANAGEMENT SYSTEMS



Certification

Shanghai Chenzhu Instrument CO.
420140,90, . . .501
: +7 987 277 68 03, +7 919 643 47 00
e-mail: chenzhu@armorise.ru
web-site: www.chenzhuisolator.ru; www.armorise.ru

Shanghai Chenzhu Instrument CO.
420140,90, . . .501
: +7 987 277 68 03, +7 919 643 47 00
e-mail: chenzhu@armorise.ru
web-site: www.chenzhuisolator.ru; www.armorise.ru



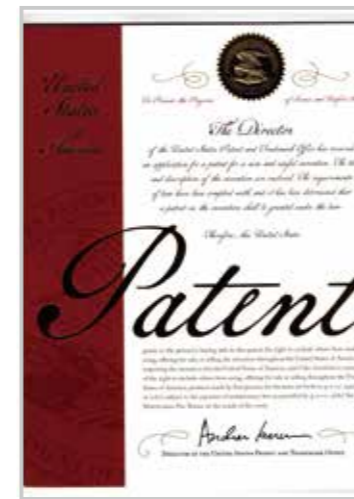
■ CE Certification



■ SIL Certification



■ IECEx Certification



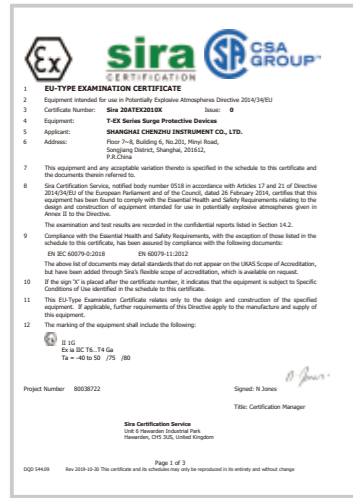
■ US Patent



■ European Patent



■ Invention Patent



■ ATEX Certification



■ CCC Certification



■ UL Certification



■ Utility Model Patent



■ Utility Model Patent



■ Utility Model Patent



■ Type Test Report



■ Explosion Protection Certificate of Conformity



■ Product Liability Insurance



■ Industrial Design Patent



■ Industrial Design Patent



■ Industrial Design Patent

No fear of Lightning



- ◆ : 3.5mm(4.5mm with cover)
- ◆ 2-
- ◆
- ◆ Ex -
- ◆
- ◆

- ◆ : 6 mm(with cover)
- ◆ 2-
- ◆
- ◆ Ex -
- ◆
- ◆

- ◆ : 6 mm(with cover)
- ◆ 3-
- ◆
- ◆ Ex - a
- ◆
- ◆ t

- ◆ : 12mm/P
- ◆ In: 20kA/P
- ◆
- ◆
- ◆
- ◆

- ◆ : 12mm/P
- ◆ In: 20kA/P
- ◆
- ◆
- ◆
- ◆

3.5mm Signal SPD (4.5mm with cover)

Model No.	Order No.	Номинальный ток I _n	Тип сигнала	Максимальное продолжительное напряжение U _c	Номинальный разрядный ток I _n (8/20μs)	Кол-во линий	Суммарный импульсный ток (10/350μs)	Стр.
C-5T2-EX.M	7059240	500mA	IS, TC, RS-485, CAN	6V DC	10kA	2	1.5kA	9
C-24B2-EX.M	7060264		IS, AI, AO, DI, DO	32V DC				9
C-5T2.M	7098835	800mA	TC, RS-485, CAN	6V DC	10kA	2	1.5kA	10
C-24B2.M	7074711		AI, AO, DI, DO	32V DC				10

6mm Signal SPD, 24VDC Power SPD

Model No.	Order No.	Кол-во линий	Тип сигнала	Максимальное продолжительное напряжение U _c	Номинальный ток I _n	Номинальный разрядный ток I _n (8/20μs)	Суммарный импульсный ток (10/350μs)	Стр.
C-5T2-EX	7031750...	2	IS, TC, RS-485, CAN	6V DC	500mA	10kA	2.5kA	11
C-24B2-EX	7028376...	2	IS, AI, AO, DI, DO	32V DC				11
C-5R3-EX	7092664...	3	IS, RTD	6V DC	800mA	10kA	2.5kA	12
C-24B3-EX	7061738...	3	IS, AI, AO, DI, DO, RS-232	32V DC				12
C-5T2	7092615...	2	TC, RS-485, CAN	6V DC	800mA	10kA	2.5kA	13
C-24B2	7053320...	2	AI, AO, DI, DO	32V DC				13
C-5R3	7036020...	2	RTD	6V DC	10 A	10kA	2.5kA	14
C-24B3	7031090...	3	AI, AO, DI, DO, RS-232	32V DC				14
C-24P	7065366...	2	24VDC power supply (<10A)	58VDC/40VAC	15			

12mm Power SPD (Width: 12mm/P)

Model No.	Order No.	Дистанционная сигнализация	Protection	Максимальное продолжительное напряжение U _c	Рекомендованный резервный предохранитель	Номинальный разрядный ток I _n (8/20μs)	Суммарный импульсный ток (10/350μs)	Стр.
C2-20/2P	7012025	-	TN System (Single phase)	320VAC	40A gG	10kA	20kA	17
C2-20/2PF	7039389	✓						17
C2-20/3P	7073441	-	IT System (Three phase), TN-C System (Three phase)	320VAC	40A gG	10kA	20kA	17
C2-20/3PF	7011201	✓						17
C2-20/4P	7096735	-	TN-S System (Three phase)	320VAC	40A gG	10kA	20kA	17
C2-20/4PF	7057147	✓						17
C2-20/1P+1	7071193	-	TT System (Single phase)	320VAC	40A gG	10kA	20kA	18
C2-20/1P+1F	7019940	✓						18
C2-20/3P+1	7015727	-	TT System (Three phase)	320VAC	40A gG	10kA	20kA	18
C2-20/3P+1F	7046918	✓						18
C2-40/2P	7078245	-	TN System (Single phase)	385VAC	80A gG	20kA	40kA	19
C2-40/2PF	7090181	✓						19
C2-40/3P	7056563	-	IT System (Three phase), TN-C System (Three-phase)	385VAC	80A gG	20kA	40kA	19
C2-40/3PF	7088561	✓						19
C2-40/4P	7067406	-	TN-S System (Three-phase)	385VAC	80A gG	20kA	40kA	19
C2-40/4PF	7021880	✓						19
C2-40/1P+1	7091735	-	TT System (Single phase)	385VAC	80A gG	20kA	40kA	20
C2-40/1P+1F	7053423	✓						20
C2-40/3P+1	7091686	-	TT System (Three-phase)	385VAC	80A gG	20kA	40kA	20
C2-40/3P+1F	7010055	✓						20
C2-24	7097742	-	24VDC power supply system	90VDC/60VAC	-	-	-	21
C2-24F	7018876	✓						21

Signal SPD protects signal devices (e.g. PLC, DCS, SCADA, transmitter, flow meter, solenoid valve) from lightning, which is applied to signals such as AI/ AO/ DI/ DO, RS485/ RS232/ RS422, RTD and TC etc..

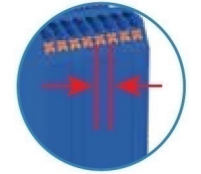
Convenient wiring

Push-in or screw connection



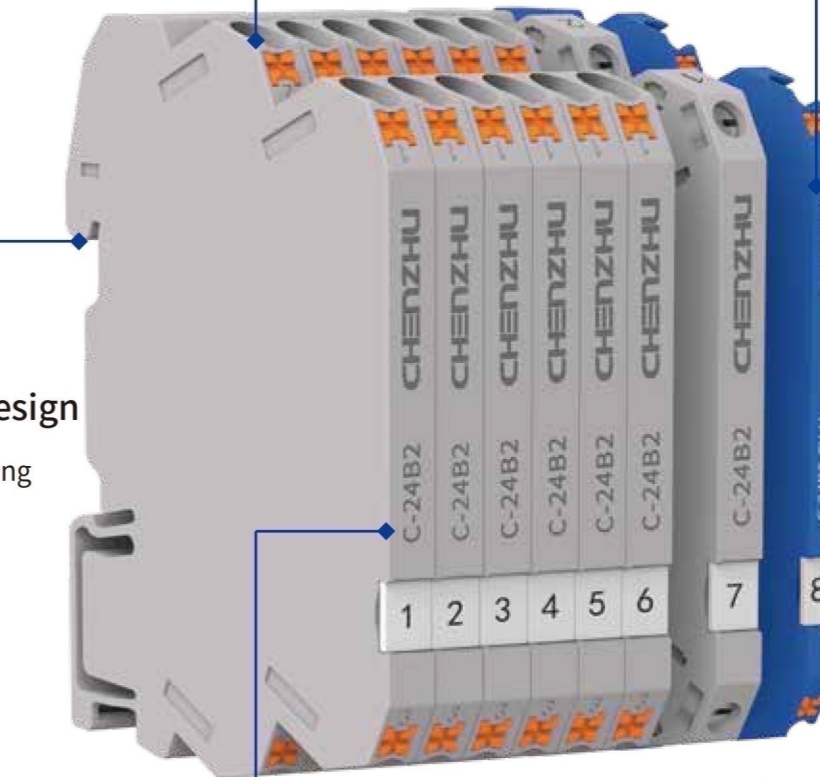
Thinner design

3080 units can be installed in one enclosure
 Note: with 6 x 1.8m rails



One-piece grounding design

DIN rail mounting



Maximized current flow

C2: 20kV/10kA
 D1: 2.5kA

Customized sign

Customizable and flexible to install

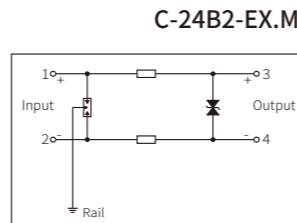
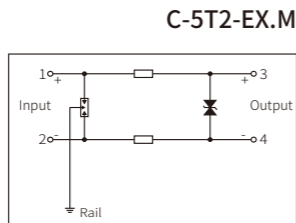


Indelible print

Environmental-friendly laser inscription

3.5mm

- 3.5mm (4.5mm with cover)
- DIN-
- C2: 20kV/ 10kA
- D1: 1.5kA

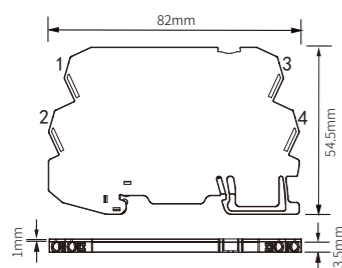


Uc
IL (per line)
In (8/20μs)
I _{max} (8/20μs)
I _{imp} (10/350μs)
Up (8/20μs) (-0.5dB)
I _{PE} (IEC60529)
/ (UL94)
EX Certification
Certificate Number
Entity Parameters
Functional safety Certification
Type test
Order number

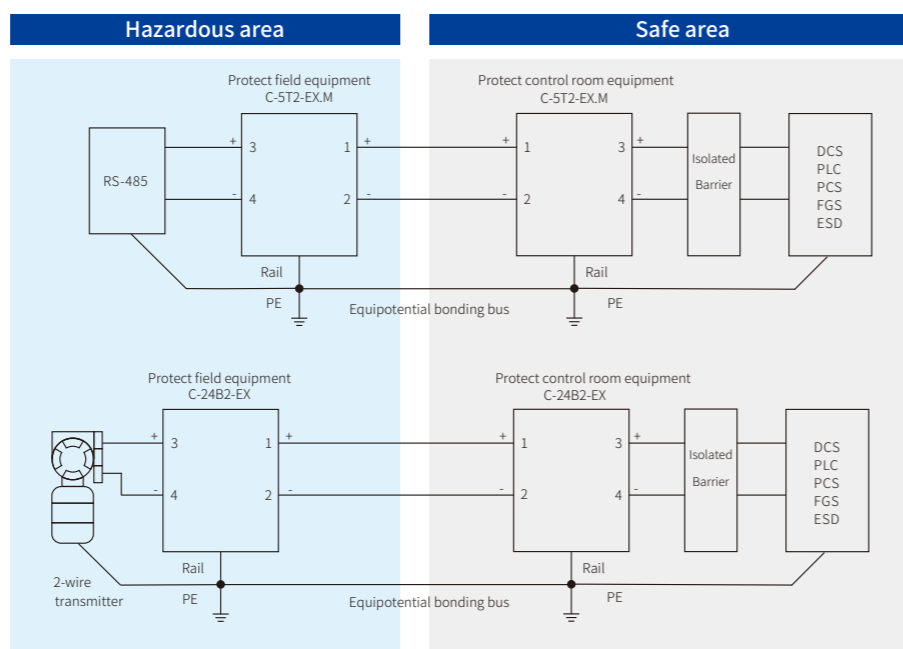
2-wire (TC, RS-485, CAN)	
Uc	6V DC
IL	500mA
In	1.1Ω
I _{max}	10kA
I _{imp}	20kA
Up	1.5kA
L-L: 40V/L-G: 600V	220kHz
L-L: 1ns/L-G: 100ns	<10μA
I _{PE}	IP 20
/	PA66/V0
	GB/T 18802.21/IEC 61643-21
EX ia II C T6...T4 Ga	See Certification for details
U _i =6V; I _i =500mA; P _i =5.32W; C _i ≈0μF; L _i ≈0mH	SIL3
	Shanghai lightning protection center
Order number	7059240

2-wire (AI, AO, DI, DO)	
Uc	32V DC
IL	500mA
In	1.1Ω
I _{max}	10kA
I _{imp}	20kA
Up	1.5kA
L-L: 60V/L-G: 600V	220kHz
L-L: 1ns/L-G: 100ns	<5μA
I _{PE}	IP 20
/	PA66/V0
	GB/T 18802.21/IEC 61643-21
EX ia II C T6...T4 Ga	See Certification for details
U _i =30V; I _i =500mA; P _i =5.32W; C _i ≈0μF; L _i ≈0mH	SIL3
	Shanghai lightning protection center
Order number	7060264

Dimensions

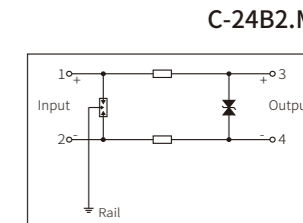
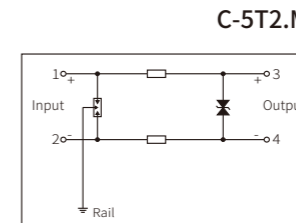


Typical applications



3.5mm

- 3.5mm Width (4.5mm with cover)
- DIN-
- C2: 20kV/ 10kA
- D1: 1.5kA

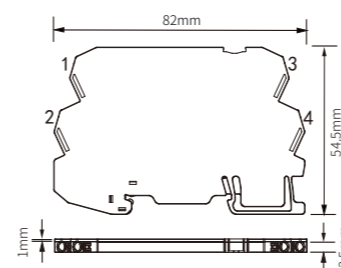


Uc
IL (per line)
In (8/20μs)
I _{max} (8/20μs)
I _{imp} (10/350μs)
Up (8/20μs) (-0.5dB)
I _{PE} (IEC60529)
/ (UL94)
Functional safety Certification
Type test
Order number

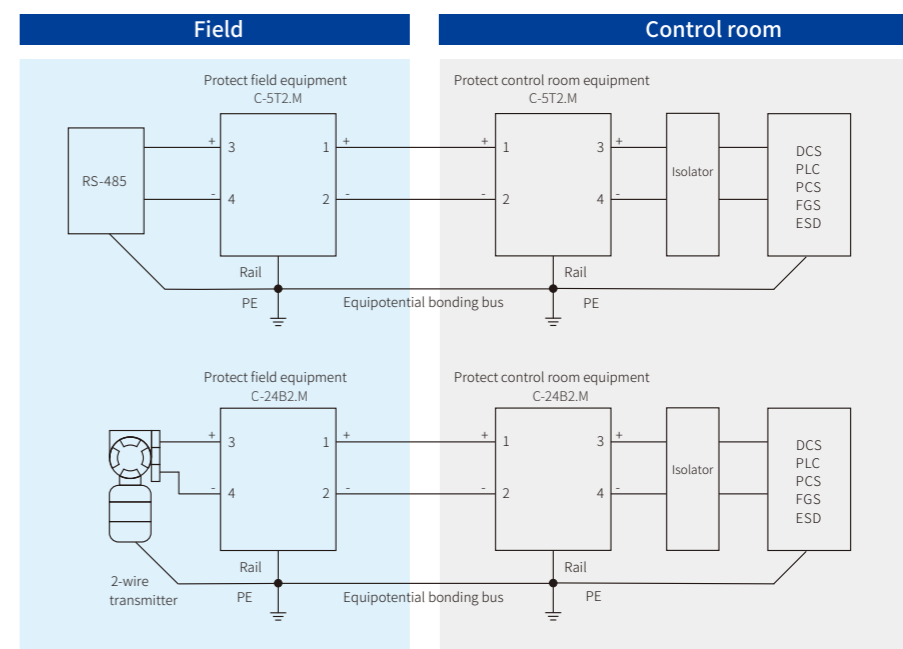
2-wire (TC, RS-485, CAN)	
Uc	6V DC
IL	800mA
In	1.1Ω
I _{max}	10kA
I _{imp}	20kA
Up	1.5kA
L-L: 40V/L-G: 600V	220kHz
L-L: 1ns/L-G: 100ns	<10μA
I _{PE}	IP 20
/	PA66/V0
	GB/T 18802.21/IEC 61643-21
SIL3	Shanghai lightning protection center
Order number	7098835

2-wire (AI, AO, DI, DO)	
Uc	32V DC
IL	800mA
In	1.1Ω
I _{max}	10kA
I _{imp}	20kA
Up	1.5kA
L-L: 60V/L-G: 600V	220kHz
L-L: 1ns/L-G: 100ns	<5μA
I _{PE}	IP 20
/	PA66/V0
	GB/T 18802.21/IEC 61643-21
SIL3	Shanghai lightning protection center
Order number	7074711

Dimensions

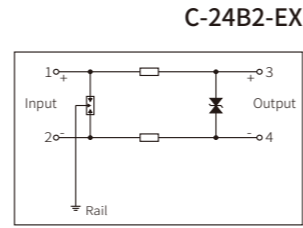
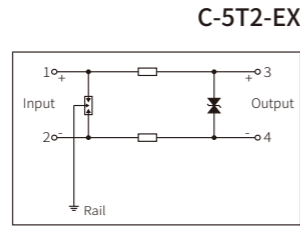


Typical applications



6mm

- 6mm
- DIN-
- C2: 20kV/ 10kA
- D1: 2.5kA

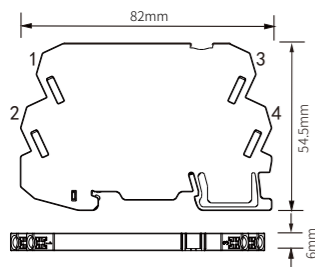


Uc
IL (per line)
In (8/20μs)
I _{max} (8/20μs)
I _{imp} (10/350μs)
Up (8/20μs) (-0.5dB)
I _{PE} (IEC60529)
/ (UL94)
Certification
Certificate Number
Entity Parameters
Functional safety Certification
Type test
Order number

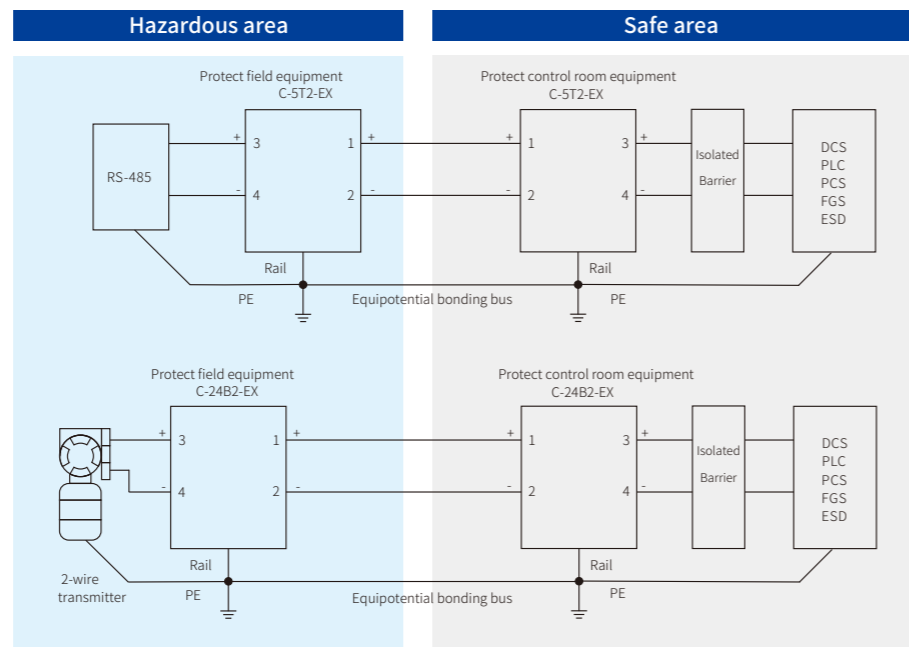
2-wire (TC, RS-485, CAN)	
Uc	6V DC
IL (per line)	500mA
In (8/20μs)	10kA
I _{max} (8/20μs)	20kA
I _{imp} (10/350μs)	2.5kA
Up (8/20μs) (-0.5dB)	L-L: 40V/L-G: 600V
I _{PE} (IEC60529)	40MHz
/ (UL94)	L-L:1ns/L-G: 100ns
Certification	<10μA
Certificate Number	IP 20
Entity Parameters	PA66/V0
Functional safety Certification	GB/T 18802.21/IEC 61643-21
Type test	Ex ia II C T6...T4 Ga
Order number	See Certification for details
	U _i =6V; I _i =500mA; P _i =5.32W; C _i ≈0μF; L _i ≈0mH
	SIL3
	Shanghai lightning protection center
	Push-in: 7031750; Screw: 7085247

2-wire (AI, AO, DI, DO)	
Uc	32V DC
IL (per line)	500mA
In (8/20μs)	10kA
I _{max} (8/20μs)	20kA
I _{imp} (10/350μs)	2.5kA
Up (8/20μs) (-0.5dB)	L-L: 60V/L-G: 600V
I _{PE} (IEC60529)	40MHz
/ (UL94)	L-L:1ns/L-G: 100ns
Certification	<1μA
Certificate Number	IP 20
Entity Parameters	PA66/V0
Functional safety Certification	GB/T 18802.21/IEC 61643-21
Type test	Ex ia II C T6...T4 Ga
Order number	See Certification for details
	U _i =30V; I _i =500mA; P _i =5.32W; C _i ≈0μF; L _i ≈0mH
	SIL3
	Shanghai lightning protection center
	Push-in: 7028376; Screw: 7022179

Dimensions

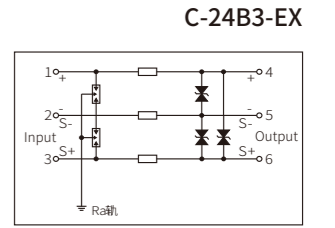
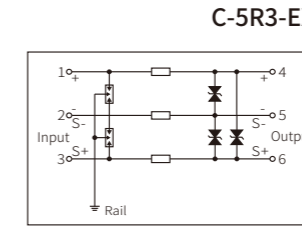


Typical applications



6mm

- 6mm
- DIN-
- C2: 20kV/ 10kA
- D1: 2.5kA

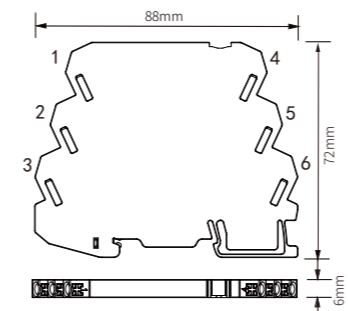


Uc
IL (per line)
In (8/20μs)
I _{max} (8/20μs)
I _{imp} (10/350μs)
Up (8/20μs) (-0.5dB)
I _{PE} (IEC60529)
/ (UL94)
Certification
Certificate Number
Entity Parameters
Functional safety Certification
Type test
Order number

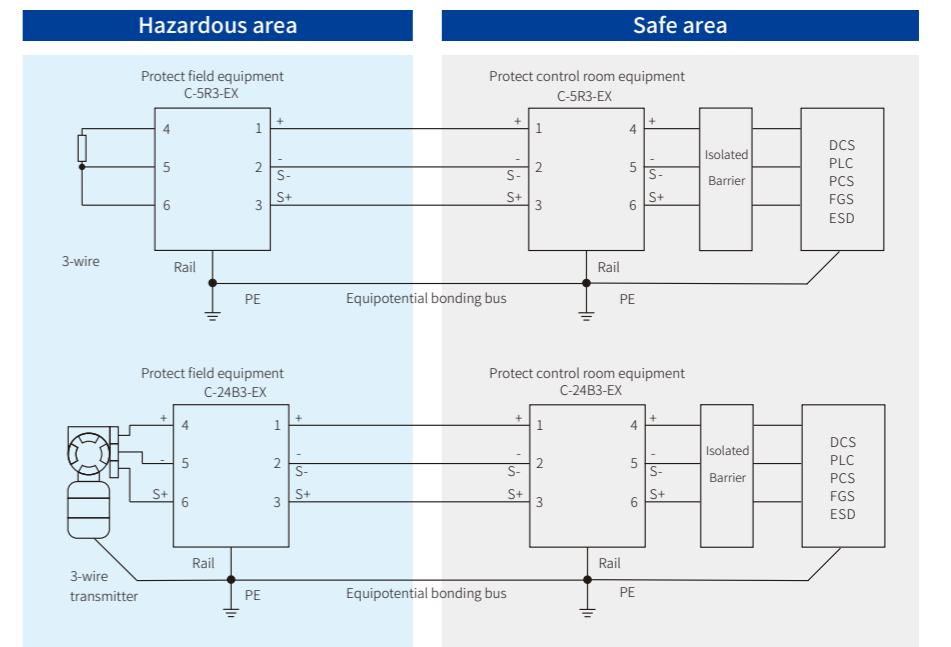
3-wire(RTD)	
Uc	6V DC
IL (per line)	500mA
In (8/20μs)	10kA
I _{max} (8/20μs)	20kA
I _{imp} (10/350μs)	2.5kA
Up (8/20μs) (-0.5dB)	L-L: 40V/L-G: 600V
I _{PE} (IEC60529)	40MHz
/ (UL94)	L-L:1ns/L-G: 100ns
Certification	<10μA
Certificate Number	IP 20
Entity Parameters	PA66/V0
Functional safety Certification	GB/T 18802.21/IEC 61643-21
Type test	Ex ia II C T6...T4 Ga
Order number	See Certification for details
	U _i =6V; I _i =500mA; P _i =5.32W; C _i ≈0μF; L _i ≈0mH
	SIL3
	Shanghai lightning protection center
	Push-in: 7092664; Screw: 7085023

3-wire (AI, AO, DI, DO, RS-232)	
Uc	32V DC
IL (per line)	500mA
In (8/20μs)	10kA
I _{max} (8/20μs)	20kA
I _{imp} (10/350μs)	2.5kA
Up (8/20μs) (-0.5dB)	L-L: 60V/L-G: 600V
I _{PE} (IEC60529)	40MHz
/ (UL94)	L-L:1ns/L-G: 100ns
Certification	<1μA
Certificate Number	IP 20
Entity Parameters	PA66/V0
Functional safety Certification	GB/T 18802.21/IEC 61643-21
Type test	Ex ia II C T6...T4 Ga
Order number	See Certification for details
	U _i =30V; I _i =500mA; P _i =5.32W; C _i ≈0μF; L _i ≈0mH
	SIL3
	Shanghai lightning protection center
	Push-in: 7061738; Screw: 7075963

Dimensions

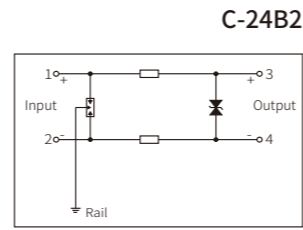
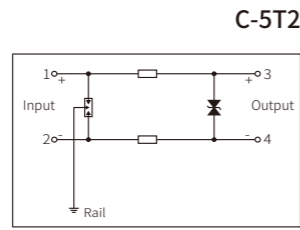


Typical applications



6mm

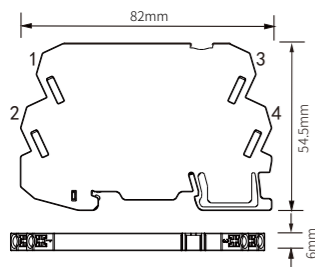
- 6mm
- DIN-
- C2: 20kV/ 10kA
- D1: 2.5kA



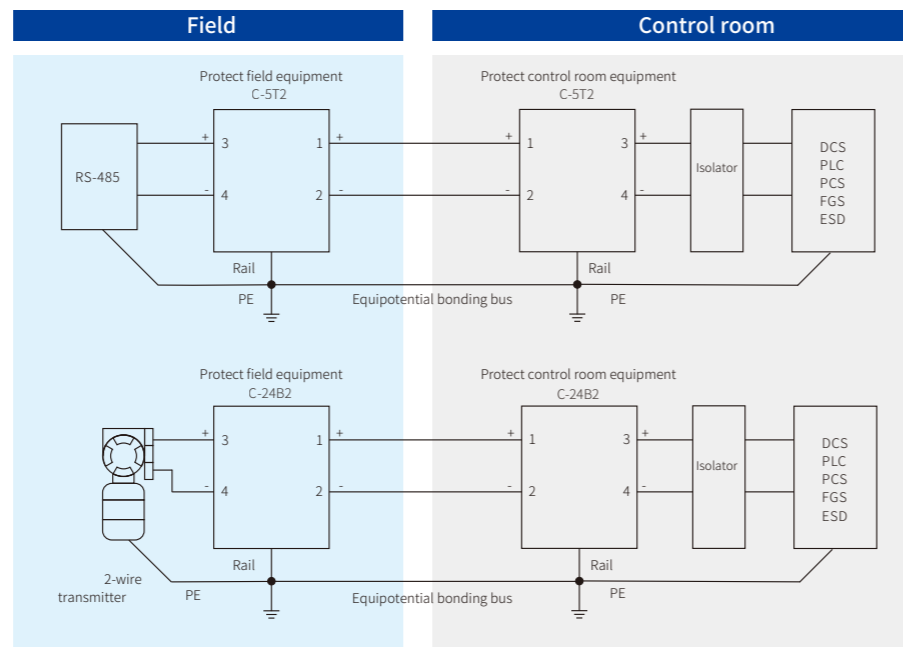
Uc
IL (per line)
In (8/20μs)
I _{max} (8/20μs)
I _{imp} (10/350μs)
Up (8/20μs) (-0.5dB)
I _{PE} (IEC60529)
/ (UL94)
Functional safety Certification
Type test
Order number

2-wire (TC, RS-485, CAN)	2-wire (AI, AO, DI, DO)
6V DC	32V DC
800mA	800mA
1Ω	1Ω
10kA	10kA
20kA	20kA
2.5kA	2.5kA
L-L: 40V/L-G: 600V	L-L: 60V/L-G: 600V
40MHz	40MHz
L-L: 1ns/L-G:100ns	L-L: 1ns/L-G:100ns
<10μA	<1μA
IP 20	IP 20
PA66/V0	PA66/V0
GB/T 18802.21/IEC 61643-21	GB/T 18802.21/IEC 61643-21
SIL3	SIL3
Shanghai lightning protection center	Shanghai lightning protection center
Push-in: 7092615; Screw: 7070096	Push-in: 7053320; Screw: 7063821

Dimensions

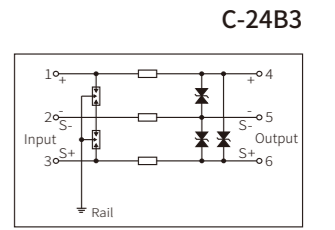
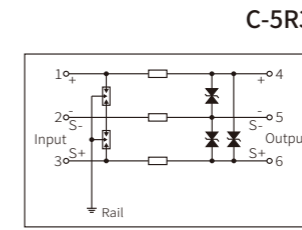


Typical applications



6mm

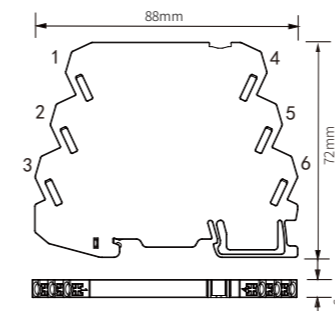
- 6mm
- C2: 20kV/ 10kA
- D1: 2.5kA



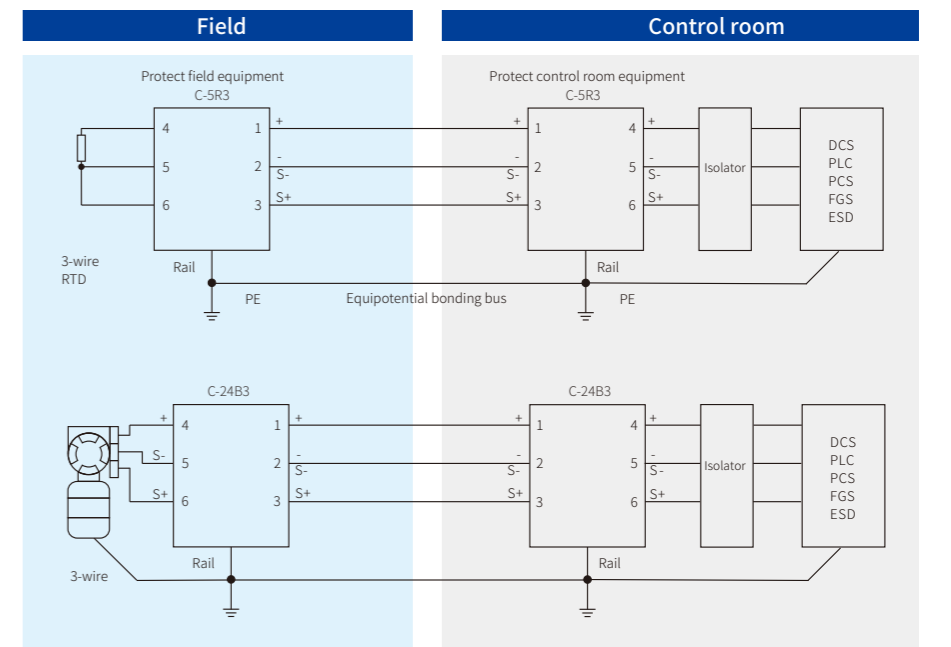
Uc
IL (per line)
In (8/20μs)
I _{max} (8/20μs)
I _{imp} (10/350μs)
Up (8/20μs) (-0.5dB)
I _{PE} (IEC60529)
/ (UL94)
Functional safety Certification
Type test
Order number

3-wire(RTD)	3-wire (AI, AO, DI, DO, RS-232)
6V DC	32V DC
800mA	800mA
1Ω	1Ω
10kA	10kA
20kA	20kA
2.5kA	2.5kA
L-L: 40V/L-G: 600V	L-L: 60V/L-G: 600V
40MHz	40MHz
L-L: 1ns/L-G:100ns	L-L: 1ns/L-G:100ns
<10μA	<1μA
IP 20	IP 20
PA66/V0	PA66/V0
GB/T 18802.21/IEC 61643-21	GB/T 18802.21/IEC 61643-21
SIL3	SIL3
Shanghai lightning protection center	Shanghai lightning protection center
Push-in: 7036020; Screw: 7062156	Push-in: 7031090; Screw: 7043427

Dimensions



Typical applications



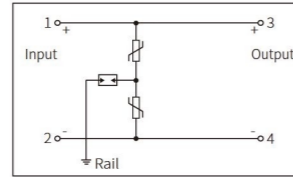
6mm УЗИП для низкого напряжения

ООО «Арморайз»
 Официальный дистрибьютор Shanghai Chenzhu Instrument CO.
 420140, РФ, г. Казань, ул. Ю.Фучика, д. 90а, оф. 501а
 Тел.: +7 987 277 68 03, +7 919 643 47 00
 e-mail: chenzhu@armorise.ru
 web-site: www.chenzhuisolator.ru; www.armorise.ru

Преимущества

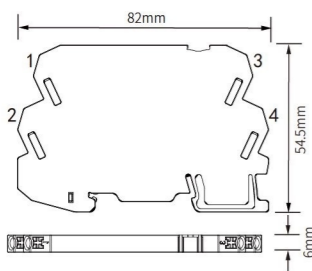
- Ширина 6mm
- Заземление от DIN-рейки
- Зажимные или винтовые клеммы
- Применим для цепей 24VDC (<10A)
- C2: 20kV/ 10kA
- D1: 2.5kA

C-24P

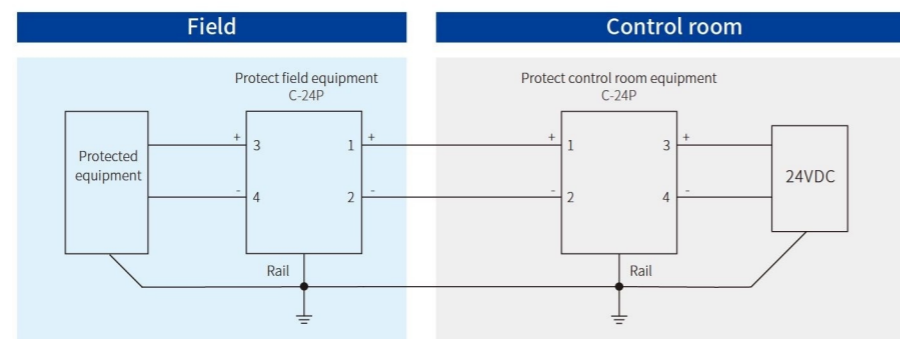


Спецификация	24VDC
максимальное продолжительное напряжение Uс	58VDC/40VAC
Номинальный ток I _L	10A
Номинальный разрядный ток I _n (8/20μs)	10kA
Максимальный разрядный ток I _{max} (8/20μs)	20kA
Импульсный разрядный I _{imp} (10/350μs)	2.5kA
Уровень напряжения защиты U _p	L-L: 400V/L-G: 600V
Время отклика	L-L: 25ns/L-G: 100ns
Остаточный ток I _{PE}	<20μA
Климатическое исполнение(IEC60529)	IP 20
Материал корпуса/степень воспламенения(UL94)	PA66/V0
Стандарт	GB/T 18802.21/IEC 61643-21
Certification	
Type test	Shanghai lightning protection center
Order number	Push-in: 7065366; Screw: 7077701

Dimensions



Typical applications



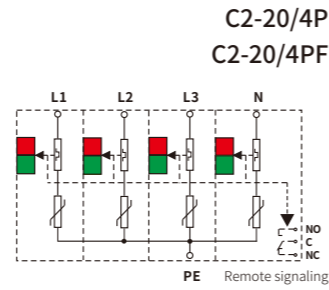
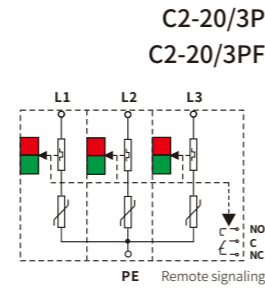
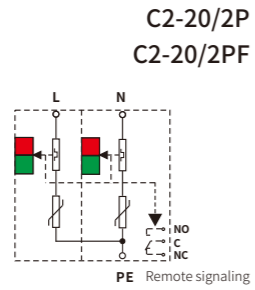
ООО «Арморайз»
 Официальный дистрибьютор Shanghai Chenzhu Instrument CO.
 420140, РФ, г. Казань, ул. Ю.Фучика, д. 90а, оф. 501а
 Тел.: +7 987 277 68 03, +7 919 643 47 00
 e-mail: chenzhu@armorise.ru
 web-site: www.chenzhuisolator.ru; www.armorise.ru

C Series Power SPD

Power SPD защищает все электрические устройства (например, трансформатор, распределительную коробку, инвертор, зарядную батарею, ветрогенератор, ИБП, щитовую туннельную машину и береговой кран) в системе электроснабжения или распределения от скачков напряжения, который подходит для 24 В постоянного тока, а также для источника питания или системы распределения переменного тока IT / TT / TN-C / TN-S

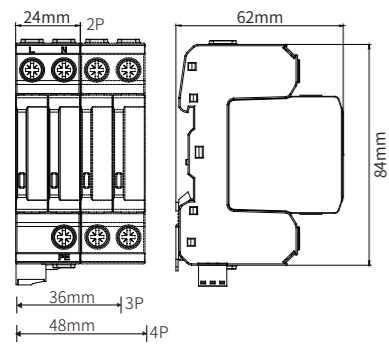
- Customized sign**: Customizable and flexible to install
- Redundant wiring design**: Easy to get V type wiring
- Status indication**: Fault / Normal
- Flameproof and anti-corrosion housing material**: V0 flame rating, 96H salt mist, 2G vibration
- Remote alarm**: Normally open & close contact, Pluggable connection
- Indelible print**: Environmental friendly laser inscription
- Thinner design**: Width 12mm/p, Height 62mm

- : 12mm/P
-
-
- "F"

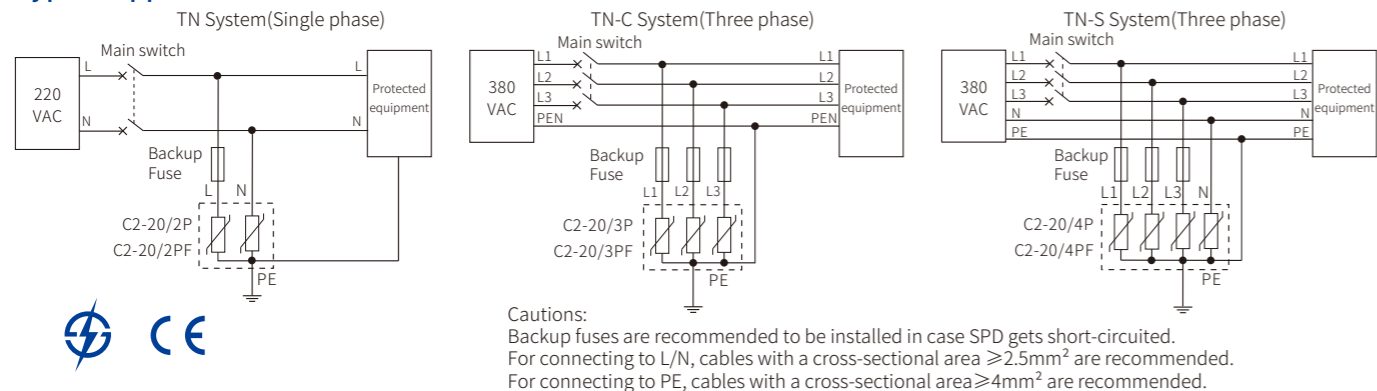


	C2-20/2P C2-20/2PF	C2-20/3P C2-20/3PF	C2-20/4P C2-20/4PF
Uc	320VAC	320VAC	320VAC
In (8/20μs)	10kA	10kA	10kA
I _{max} (8/20μs)	20kA	20kA	20kA
Up	1.2kV	1.2kV	1.2kV
I _{SCCR} (No external fuse)	40A gG	40A gG	40A gG
(solid/flexible)	1000A	1000A	1000A
	2.5~25mm ² /2.5~16mm ²	2.5~25mm ² /2.5~16mm ²	2.5~25mm ² /2.5~16mm ²
	25ns	25ns	25ns
I _{PE}	<20μA	<20μA	<20μA
(with F)	250VAC/0.5A; 24VDC/0.5A	250VAC/0.5A; 24VDC/0.5A	250VAC/0.5A; 24VDC/0.5A
(IEC60529)	IP 20	IP 20	IP 20
/	(UL94) PA66/V0	PA66/V0	PA66/V0
	GB/T 18802.11/IEC 61643-11	GB/T 18802.11/IEC 61643-11	GB/T 18802.11/IEC 61643-11
	TN System(Single phase)	TN-C System(Three phase)	TN-S System(Three phase)
		IT System(Three phase)	
Certification	Shanghai lightning protection center		
Type test	Shanghai lightning protection center		
Order number	C2-20/2P: 7012025 C2-20/2PF: 7039389	C2-20/3P: 7073441 C2-20/3PF: 7011201	C2-40/4P: 7096735 C2-20/4PF: 7057147

Dimensions

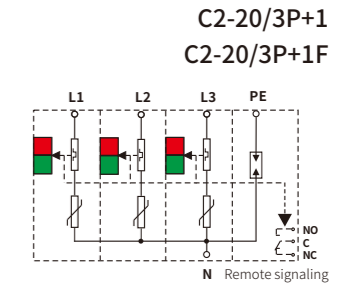
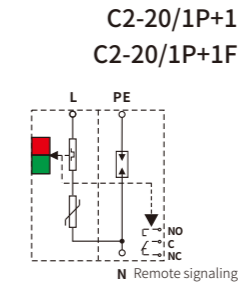


Typical applications



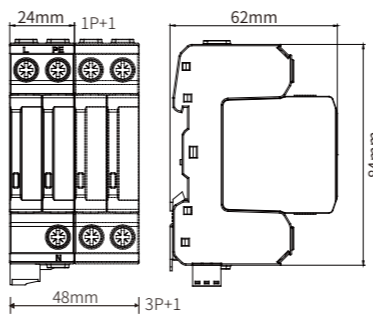
Преимущества

- Ширина: 12mm/P
- Индикация состояния:
Зеленый: Норма
Красный: Ошибка
- Заменяемый модуль защиты (горячая замена)
- Выходной сигнал является опциональным и имеет литеру "F".

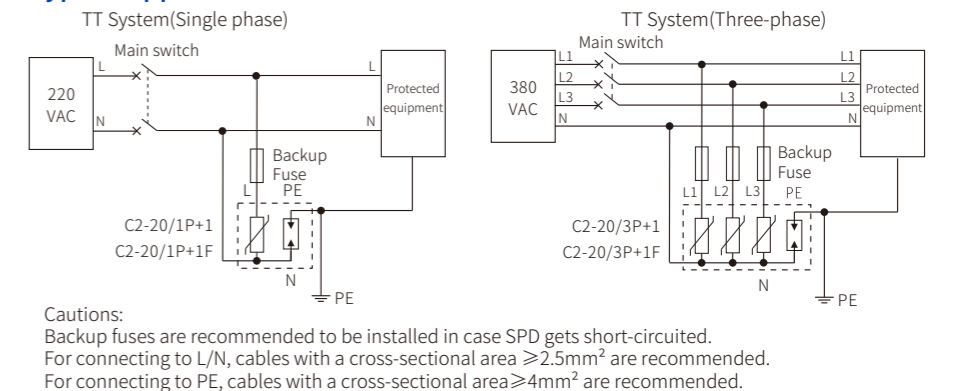


	C2-20/1P+1 C2-20/1P+1F	C2-20/3P+1 C2-20/3P+1F
Uc	320VAC	320VAC
In (8/20μs)	10kA	10kA
I _{max} (8/20μs)	20kA	20kA
Up	1.2kV	1.2kV
I _{SCCR} (No external fuse)	40A gG	40A gG
(solid/flexible)	1000A	1000A
	2.5~25mm ² /2.5~16mm ²	2.5~25mm ² /2.5~16mm ²
	25ns	25ns
I _{PE}	<20μA	<20μA
(with F)	250VAC/0.5A; 24VDC/0.5A	250VAC/0.5A; 24VDC/0.5A
(IEC60529)	IP 20	IP 20
/	(UL94) PA66/V0	PA66/V0
	GB/T 18802.11/IEC 61643-11	GB/T 18802.11/IEC 61643-11
	TT System(Single phase)	TT System(Three-phase)
Certification	Shanghai lightning protection center	
Type test	Shanghai lightning protection center	
Order number	C2-20/1P+1: 7071193 C2-20/1P+1F: 7019940	C2-20/3P+1: 7015727 C2-20/3P+1F: 7046918

Dimensions

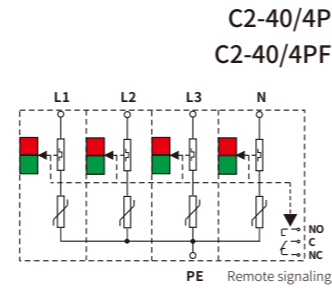
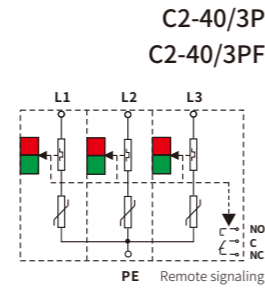
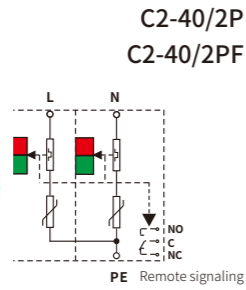


Typical applications



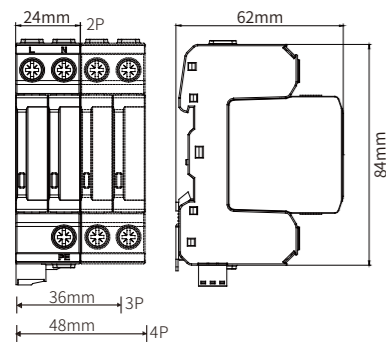
Преимущества

- Ширина: 12mm/P
- Индикация состояния:
Зеленый: Норма
Красный: Ошибка
- Заменяемый модуль защиты (горячая замена)
- Выходной сигнал является опциональным и имеет литеру "F".

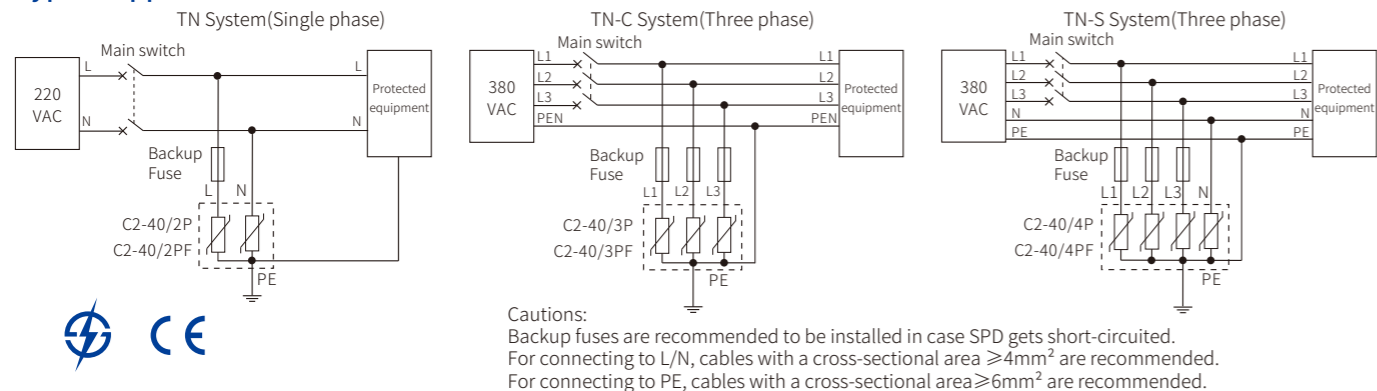


	C2-40/2P C2-40/2PF	C2-40/3P C2-40/3PF	C2-40/4P C2-40/4PF
Uc	385VAC	385VAC	385VAC
In (8/20μs)	20kA	20kA	20kA
Imax (8/20μs)	40kA	40kA	40kA
Up	1.7kV	1.7kV	1.7kV
I _{SCCR} (No external fuse)	80A gG	80A gG	80A gG
(solid/flexible)	1000A	1000A	1000A
	4~25mm ² /4~16mm ²	4~25mm ² /4~16mm ²	4~25mm ² /4~16mm ²
	25ns	25ns	25ns
I _{PE}	<20μA	<20μA	<20μA
(with F)	250VAC/0.5A; 24VDC/0.5A	250VAC/0.5A; 24VDC/0.5A	250VAC/0.5A; 24VDC/0.5A
(IEC60529)	IP 20	IP 20	IP 20
/	(UL94) PA66/V0	PA66/V0	PA66/V0
	GB/T 18802.11/IEC 61643-11	GB/T 18802.11/IEC 61643-11	GB/T 18802.11/IEC 61643-11
	TN System(Single phase)	TN-C System(Three phase)	TN-S System(Three phase)
Certification			
Type test	Shanghai lightning protection center	Shanghai lightning protection center	Shanghai lightning protection center
Order number	C2-40/2P: 7078245 C2-40/2PF: 7090181	C2-40/3P: 7056563 C2-40/3PF: 7088561	C2-40/4P: 7067406 C2-40/4PF: 7021880

Dimensions

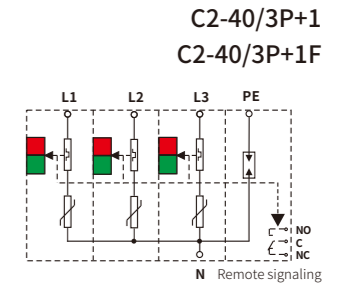
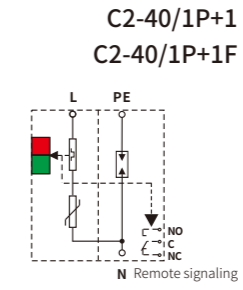


Typical applications



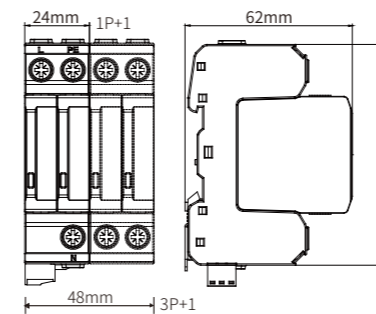
Преимущества

- Ширина: 12mm/P
- Индикация состояния:
Зеленый: Норма
Красный: Ошибка
- Заменяемый модуль защиты (горячая замена)
- Выходной сигнал является опциональным и имеет литеру "F".

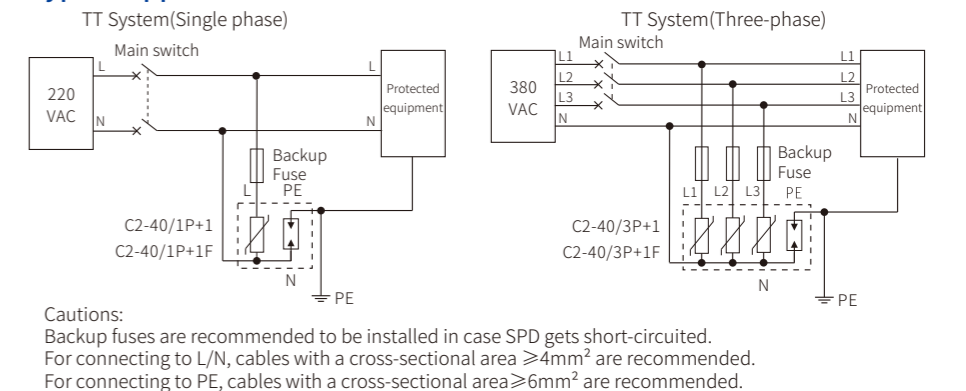


	C2-40G C2-40	C2-40G C2-40
Uc	255VAC	385VAC
In (8/20μs)	20KA	20kA
Imax (8/20μs)	40kA	40kA
Up	1.2kV	1.7kV
I _{SCCR} (No external fuse)	80A gG	80A gG
(solid/flexible)	1000A	1000A
	4~25mm ² /4~16mm ²	4~25mm ² /4~16mm ²
	25ns	25ns
I _{PE}	<20μA	<20μA
(with F)	250VAC/0.5A; 24VDC/0.5A	250VAC/0.5A; 24VDC/0.5A
(IEC60529)	IP 20	IP 20
/	(UL94) PA66/V0	PA66/V0
	GB/T 18802.11/IEC 61643-11	GB/T 18802.11/IEC 61643-11
	TT System(Single phase)	TT System(Three-phase)
Certification		
Type test	Shanghai lightning protection center	Shanghai lightning protection center
Order number	C2-40/1P+1: 7091735 C2-40/1P+1F: 7053423	C2-40/3P+1: 7091686 C2-40/3P+1F: 7010055

Dimensions



Typical applications

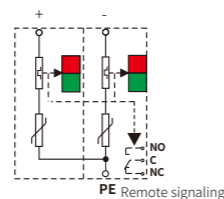


12mm

Преимущества

- Ширина: 12mm/P
- Индикация состояния:
 - Зеленый: Норма
 - Красный: Ошибка
- Заменяемый модуль защиты (горячая замена)
- Выходной сигнал является опциональным и имеет литеру "F".

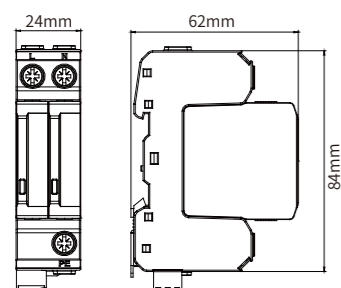
C2-24 C2-24F



Uc
In (8/20μs)
I _{max} (8/20μs)
Up
I _{SCCR} (No external fuse) (solid/flexible)
I _{PE} (with F) (IEC60529)
/ (UL94)
Certification
Type test
Order number

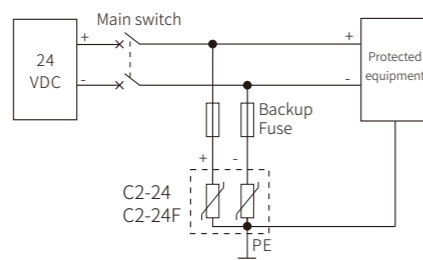
90VDC/60VAC
20kA
40kA
0.6kV
80A gG
1000A
4~25mm ² /4~16mm ²
25ns
<20μA
250VAC/0.5A; 24VDC/0.5A
IP 20
PA66/V0
GB/T 18802.11/IEC 61643-11
Shanghai lightning protection center
C2-24: 7097742
C2-24F: 7018876

Dimensions



62mm × 84mm × 24mm

Typical applications



Cautions:
 Backup fuses are recommended to be installed in case SPD gets short-circuited.
 For connecting to L/N, cables with a cross-sectional area $\geq 4\text{mm}^2$ are recommended.
 For connecting to PE, cables with a cross-sectional area $\geq 6\text{mm}^2$ are recommended.

